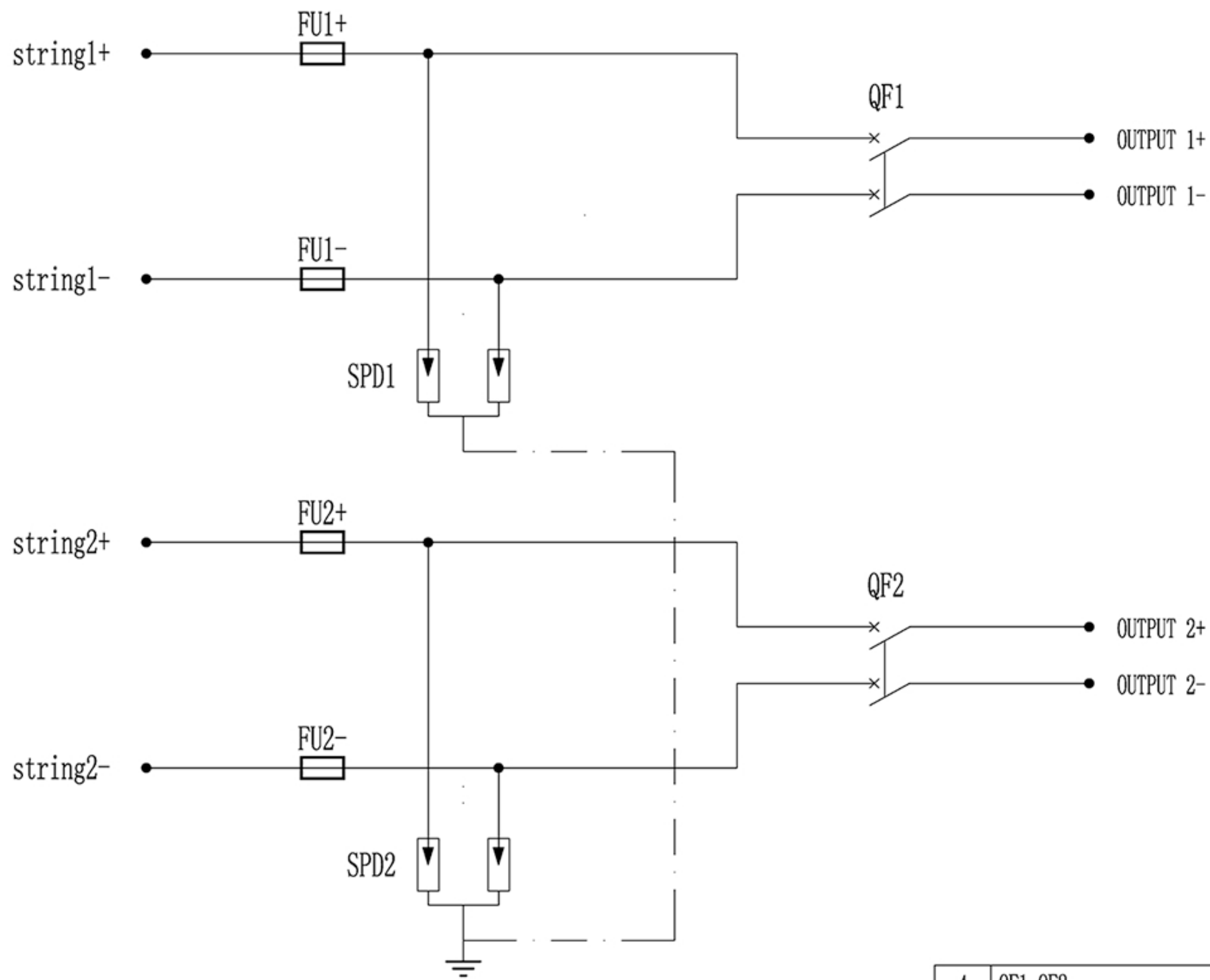


2		CABLE GLAND	PG13.5 SEALING RANGE 6.7-12mm	1	
1		CABLE GLAND	PG9 SEALING RANGE 4-8mm	12	
number	label	The name of the	specifications	quantity	note
The contract no		Tank no		Factory number	
		BHS-3/3 (DC600V) PV COMBINER BOX			
tag	Change the file no	The signature	The date of	Pattern marker	The proportion
design		standardized			
drawing		Review and approval		Arrangement diagram	
check		approval			
process		The date of			



4	QF1-QF2	DC Breaker	BB1-63/2P In=16A DC600V	2	
3	SPD1, SPD2	DC SPD	BUD-40KA/2P DC600V	2	
2		DC Fuse Link	A73. PV15A DC1000V	4	
1	FU	DC Fuse Holder	BR-30/1P 15A DC1000V	4	
number	label	The name of the	specifications	quantity	note
The contract no		Tank no		Factory number	
		BHS-2/2(DC600V) DC COMBINER BOX			
tag	Change the file no	The signature	The date of	Pattern marker	The proportion
design		standardized			
drawing		Review and approval			
check		approval			
process		The date of			
			Schematic diagram		

# CERTIFICATE



## of Conformity Low Voltage Directive 2014/35/EU

Registration No.: AN 50457919 0001

Report No.: 50334060 001

**Holder:** Zhejiang Benyi New Energy S&T  
Co.,Ltd.  
Wenzhou Bridge Industrial Zone,  
Beibaixiang Town, Yueqing,  
Wenzhou, Zhejiang  
P. R. China

**Product:** Distributer Cabinet  
PV combiner box

**Identification:** Type Designation: BHTx-yw/z BHSx-y/z  
(x=Z or blank, y=1 to 20,  
w=R or blank, z=1 to 8)  
Serial No. : A000999175-001 to 007  
Remark : Issued in conjunction with TÜV Rheinland  
R 50457917 0001.

This certificate of conformity is based on an evaluation of a sample of the above mentioned product. Technical Report and documentation are at the Licence Holder's disposal. This is to certify that the tested sample is in conformity with Annex I of Council Directive 2014/35/EU, referred to as the Low Voltage Directive. This certificate does not imply assessment of the series-production of the product and does not permit the use of a TÜV Rheinland mark of conformity. The holder of the certificate is authorized to use this certificate in connection with the EC declaration of conformity according to Annex IV of the Directive.



Date 19.01.2020

A handwritten signature in black ink, appearing to read 'A. Chen'.  
A. Chen

**TÜV Rheinland LGA Products GmbH - Tillystraße 2 - 90431 Nürnberg**

**CE** The CE marking may be used if all relevant and effective EC Directives are complied with.



Zhejiang Benyi New Energy S&T  
Co., Ltd.  
LINSHI  
PV DC COMBINER  
Wenzhou Bridge Industrial Zone,  
Beibaixiang Town, Yueqing,  
Wenzhou, Zhejiang  
P. R. China

Date : 19.01.2020  
Our ref. : YY 01  
Your ref.: W.R.Y

**Ref : AN Certificate of Conf. Low Voltage D.**

Type of Equipment : PV combiner box  
Model Designation : See Certificate  
Certificate No. : AN 50457919 0001  
Report No. : 50334060 001

Dear LINSHI,

The above specified equipment has been tested and found to be in accordance with the relevant requirements.

Please find enclosed your certificate as specified above.

If cancellation of the certificate is submitted by 15 November in a given year, no fee will be charged for the following year.

The certificate is issued with the reservation that the license holder applies all information required in § 6 of the ProdSG related to name and address of the manufacturer or his authorized representative / importer, including their respective contact addresses on the product prior to marketing of the product in the European Economic Area.

With kind regards,

Certification Body

  
A. Chen

CC: Zhejiang Benyi New Energy S&T

Enclosure

证书的详细资料请登陆[www.tuvdotcom.com](http://www.tuvdotcom.com)查阅,或拨打我司客服热线800 999 3668 / 400 883 1300咨询